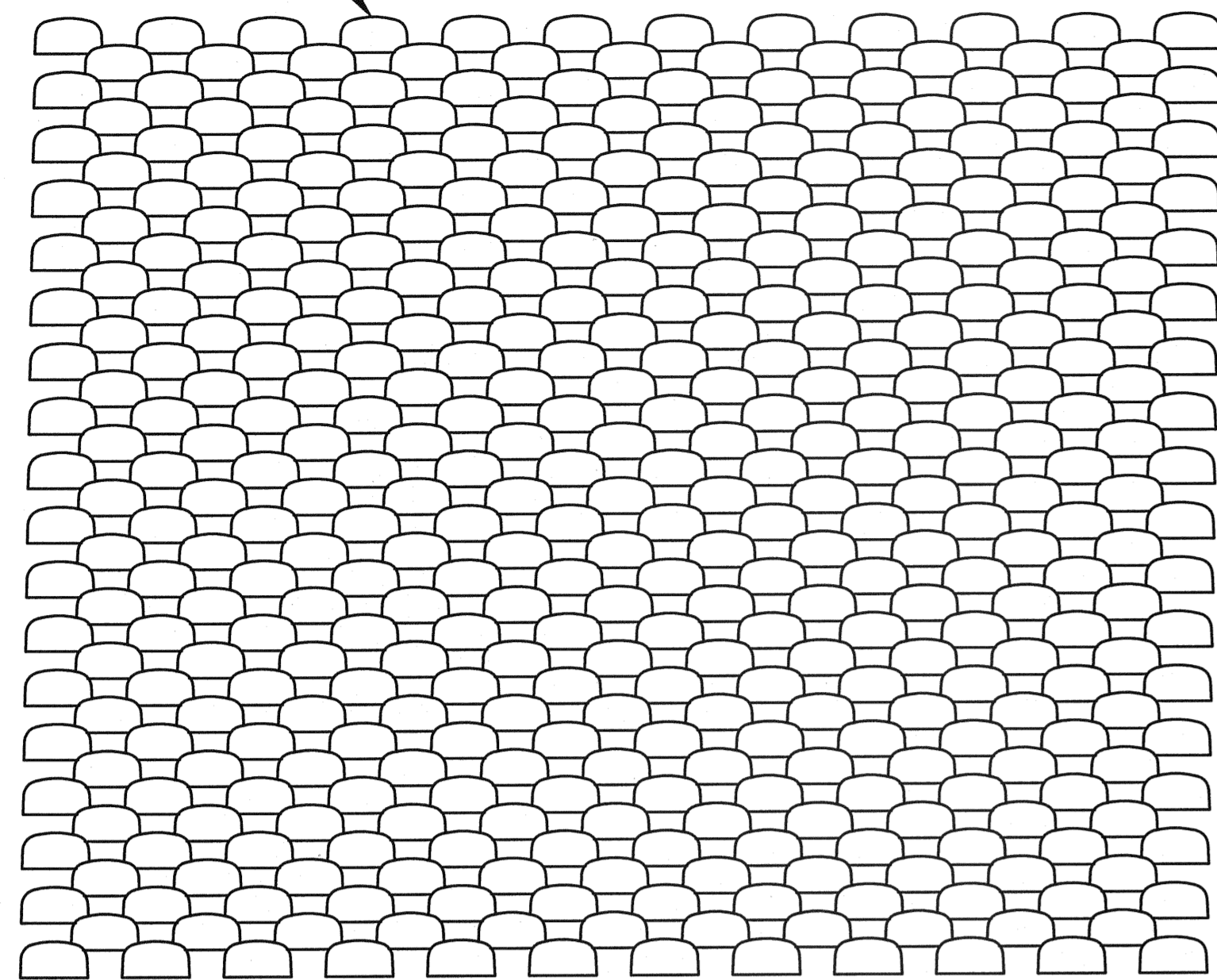
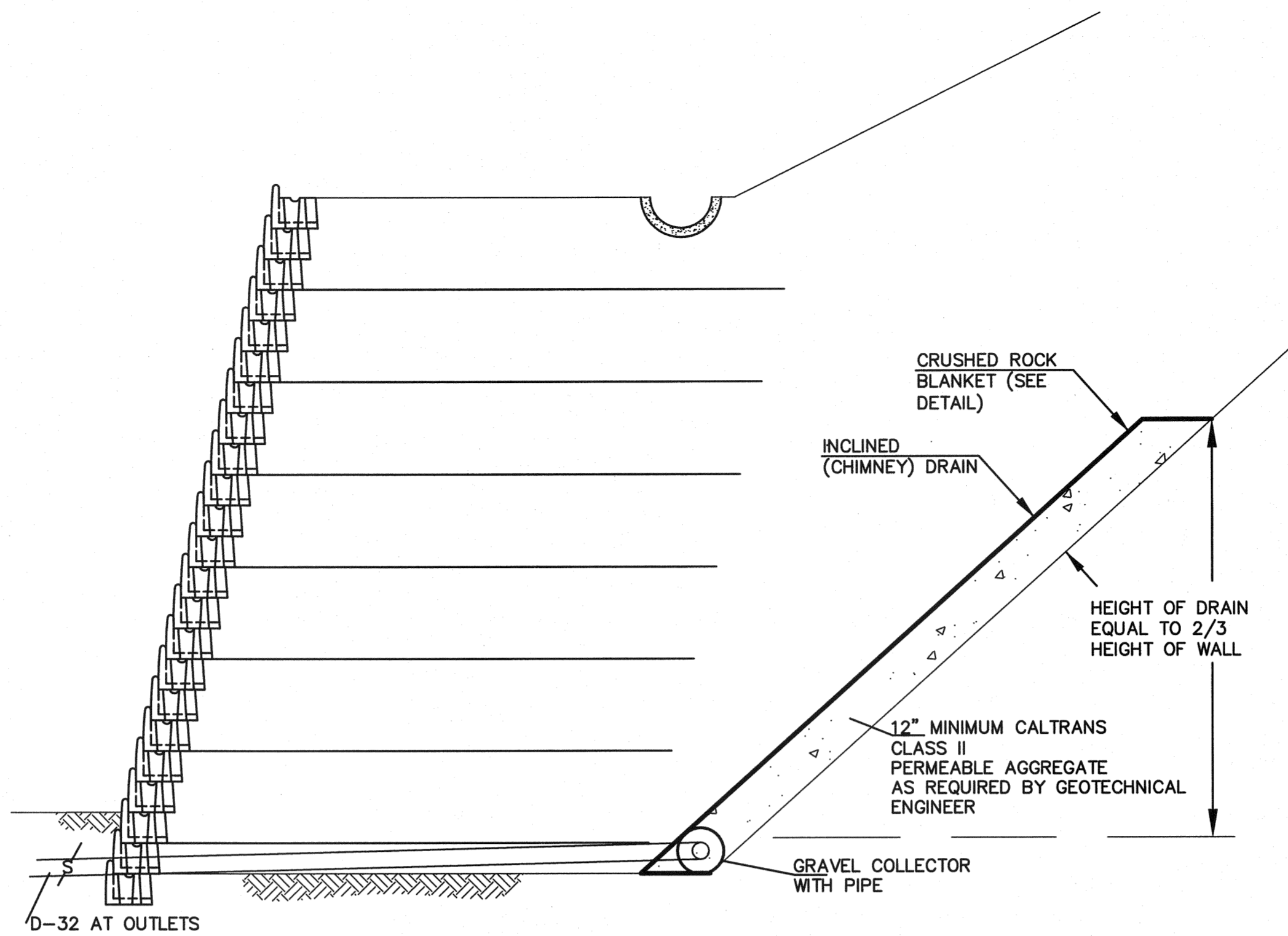


VERDURA 40 BLOCK AND SPACING DETAIL



A FRONT WALL PROFILE

NO SCALE

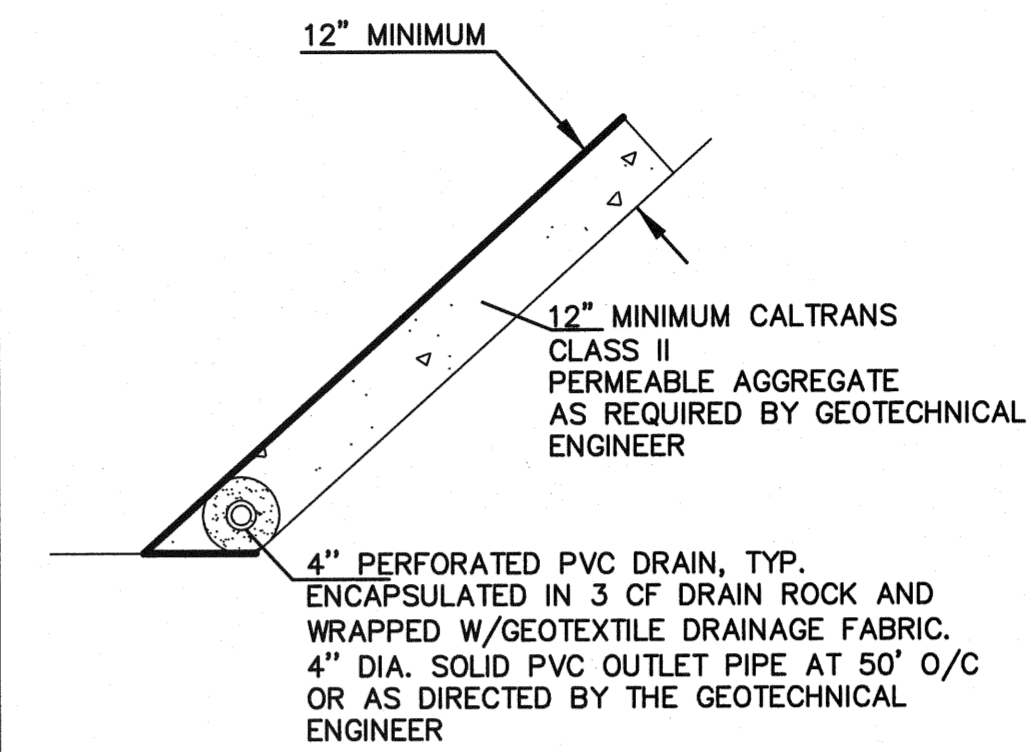


B CHIMNEY DRAIN

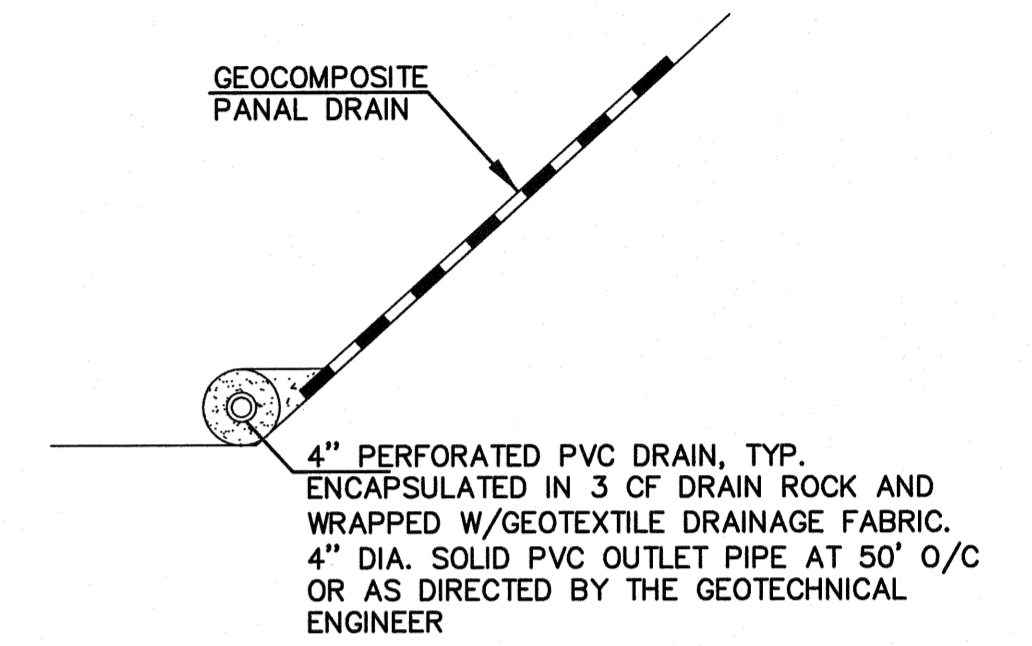
NO SCALE

NOTES:

1. CHIMNEY DRAIN TO BE INSTALLED AT AREAS OF CUT INTO EXISTING SOILS BEHIND MSE WALLS, AND AS DIRECTED BY THE GEOTECHNICAL ENGINEER IN THE FIELD.
2. PERFORATED PIPE SHOULD OUTLET THROUGH A SOLID PERFORATED PIPE TO A FREE GRAVITY OUTFALL. PERFORATED PIPE AND OUTLET PIPE SHOULD HAVE AT LEAST A FALL OF 1%.
3. FILTER FABRIC SHOULD CONSIST OF MIRAFI 140N, OR SIMILAR APPROVED PRODUCT. FILTER FABRIC SHOULD BE OVERLAPPED PER MANUFACTURER INSTRUCTIONS.
4. DRAIN INSTALLATION SHALL BE OBSERVED BY THE GEOTECHNICAL ENGINEER PRIOR TO BACKFILLING.



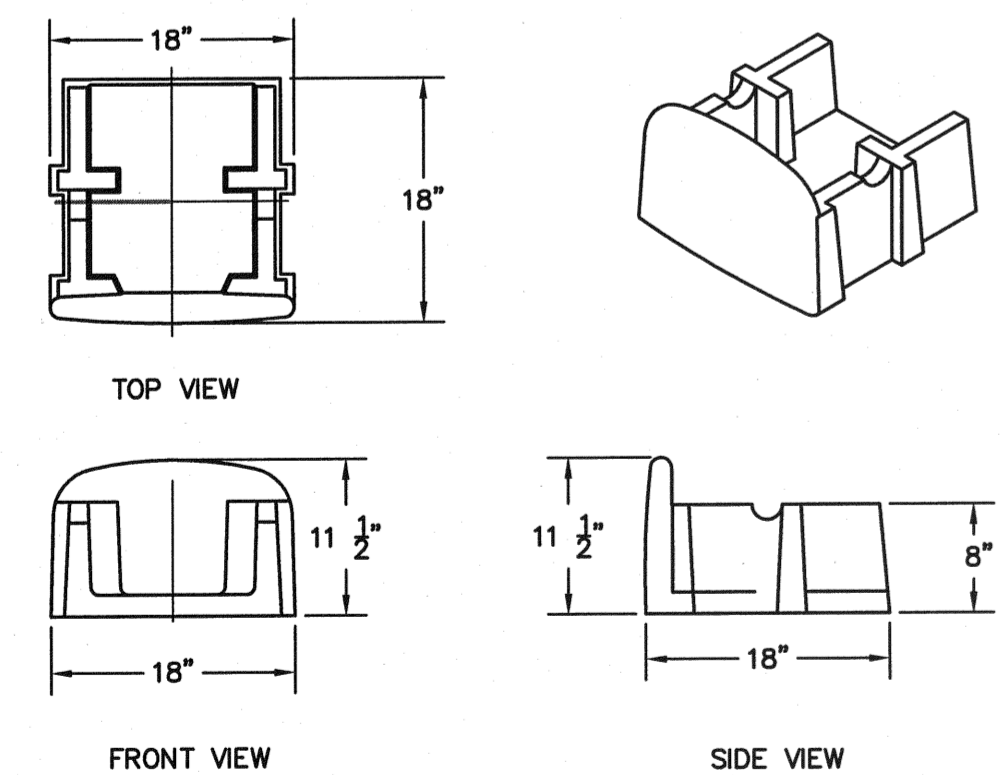
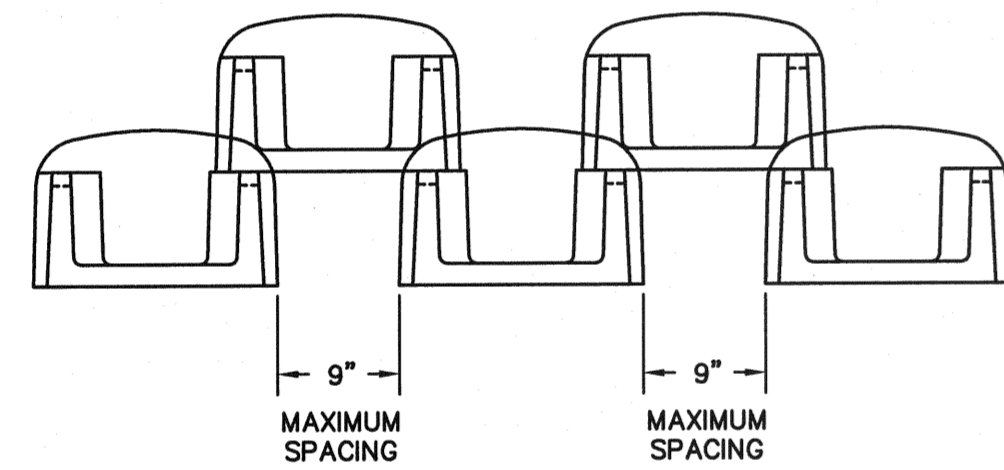
ROCK BLANKET ALTERNATIVE



GEOCOMPOSITE PANEL ALTERNATIVE

CHIMNEY DRAIN ALTERNATIVES AND NOTES

NO SCALE



VERDURA 40 BLOCK DETAIL

D WALL DETAILS

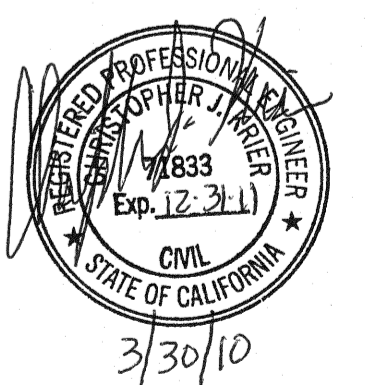
NO SCALE

E MODIFIED D-41 DISSIPATOR

NO SCALE

REVISIONS

NO.	WORK DONE	DATE:	BY:	APP'D:	NO.	WORK DONE	DATE:	BY:	APP'D:	NO.	WORK DONE	DATE:	BY:	APP'D:	NO.



SAN DIEGO GAS & ELECTRIC COMPANY
SAN DIEGO, CALIFORNIA

SUNCREST SUBSTATION
MSE WALL DETAILS

DRAWN BY: NS	DATE: 3/24/10	SCALE: AS SHOWN	W.O.:	REV: 0
CHECKED BY: RWM	DATE: -			
APPROVED BY: CR	DATE: -	SHEET 39 OF 66		
CAD NO.: GP39	PLOT SCALE: 1=1			

SCR-C-039

N:\SDB\039600\CADD\USFS\CIVIL\GP\GP39.XREFS

