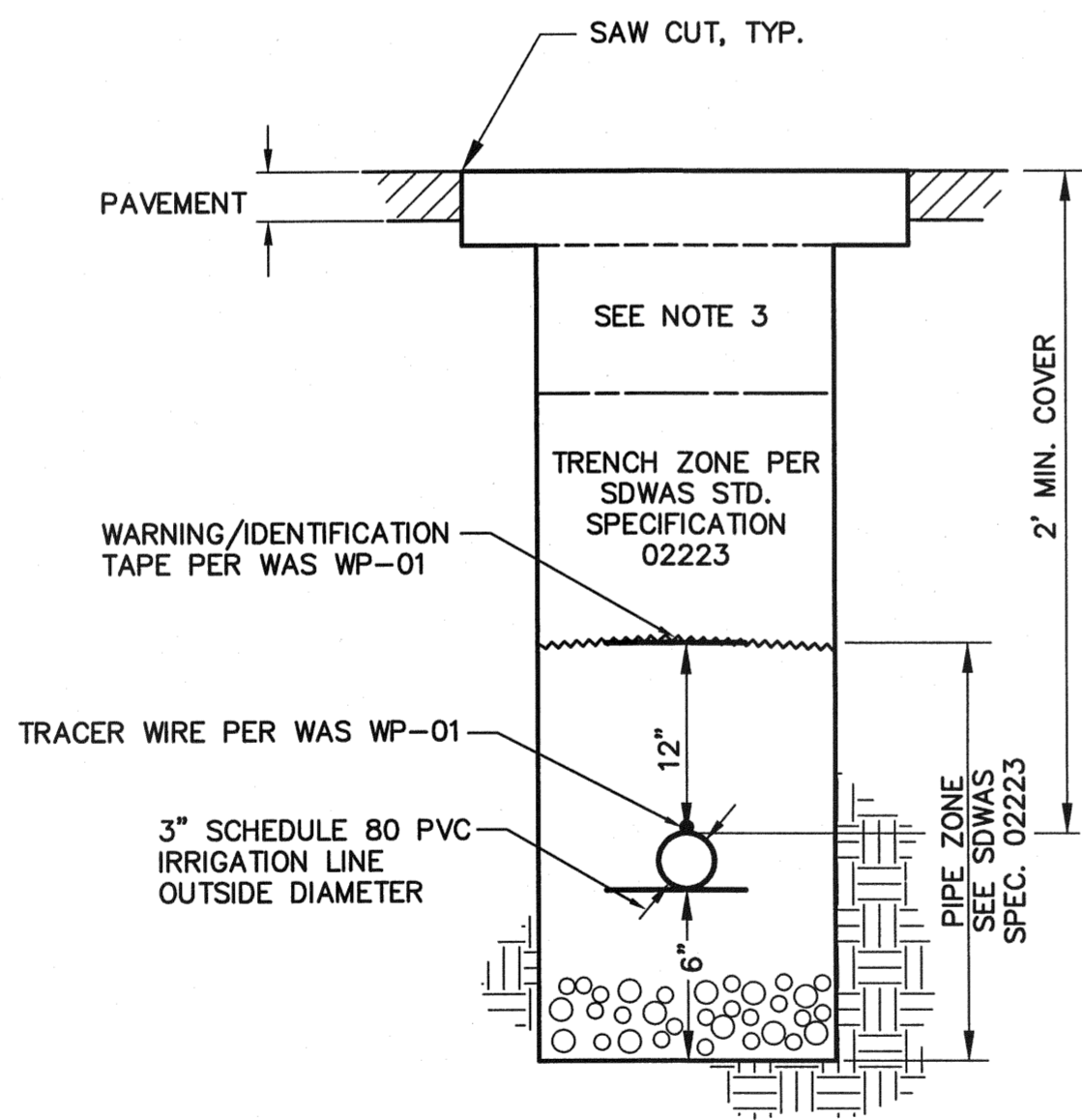


- NOTES:
1. TRENCH WIDTH PER SDWAS STD. DWG. WP-02.
 2. AGGREGATE BASE AND AC PAVING SHALL BE AS SPECIFIED IN THE TECHNICAL PROVISIONS SECTION 02513.
 3. NO TRENCH TO BE LEFT OPEN OVERNIGHT UNLESS PLATED WITH AC ALL AROUND.
 4. 90% MINIMUM COMPACTION.

(B) TRENCH DETAIL, STA 10+95.91 - 19+71.01

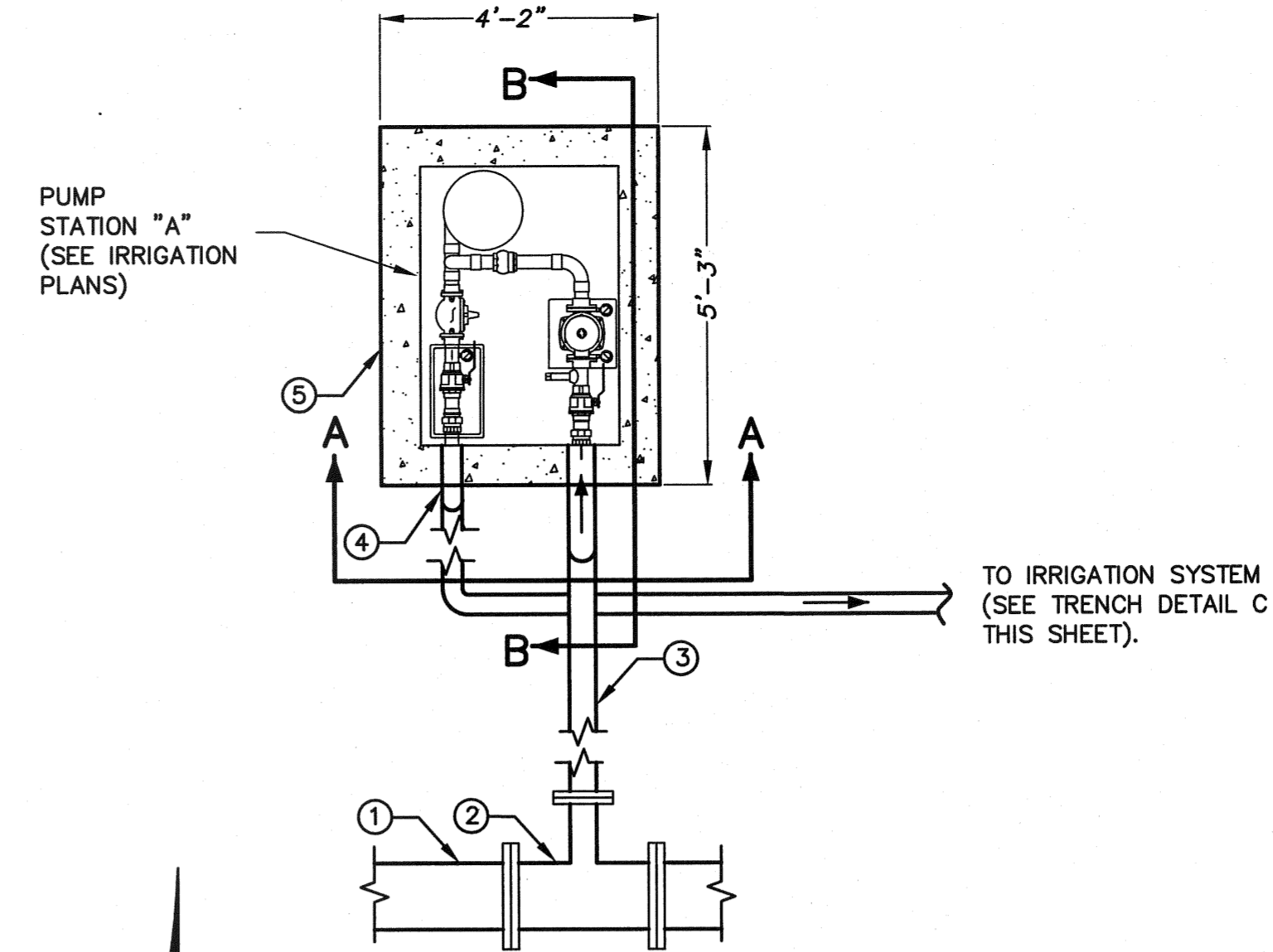
NO SCALE



- NOTES:
1. TRENCH WIDTH PER SDWAS STD. DWG. WP-02.
 2. AGGREGATE BASE AND AC PAVING SHALL BE AS SPECIFIED IN THE TECHNICAL PROVISIONS SECTION 02513.
 3. NO TRENCH TO BE LEFT OPEN OVERNIGHT UNLESS PLATED WITH AC ALL AROUND.
 4. 90% MINIMUM COMPACTION.

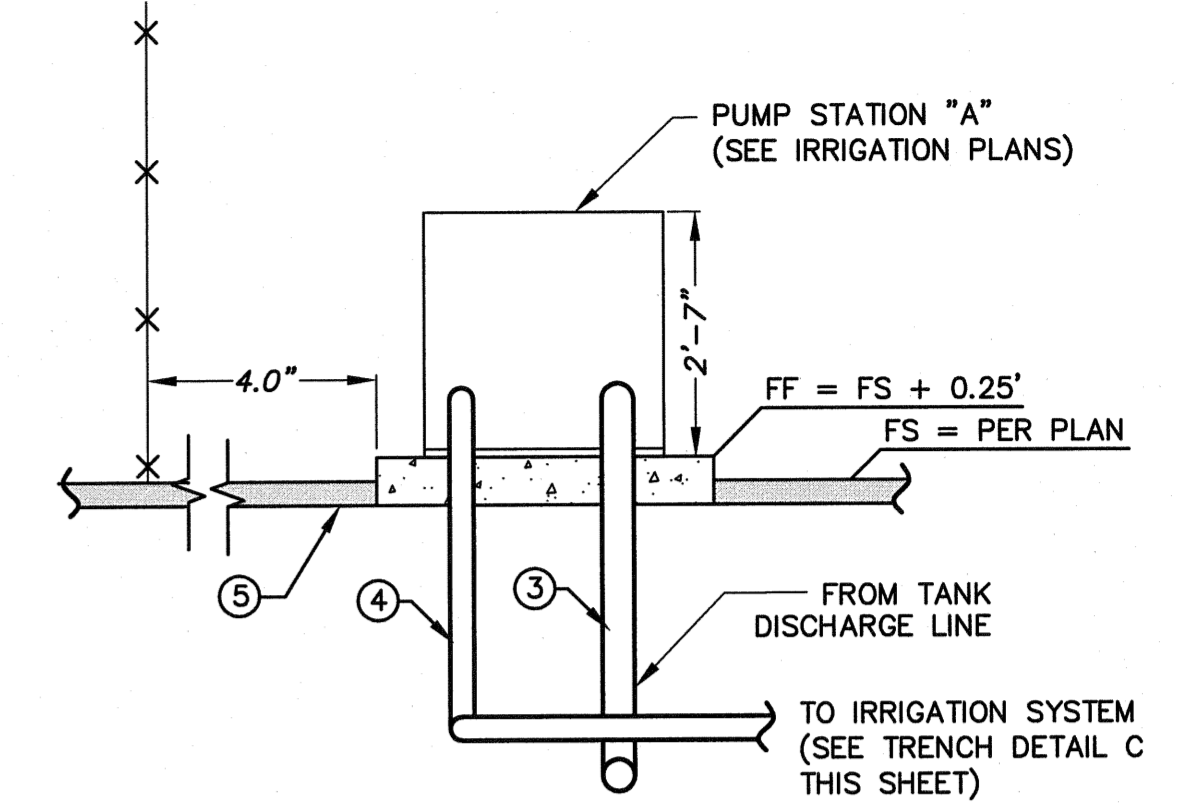
(C) TRENCH DETAIL, STA 10+04.89 - 19+71.01

NO SCALE



IRRIGATION PUMP "A" PLAN

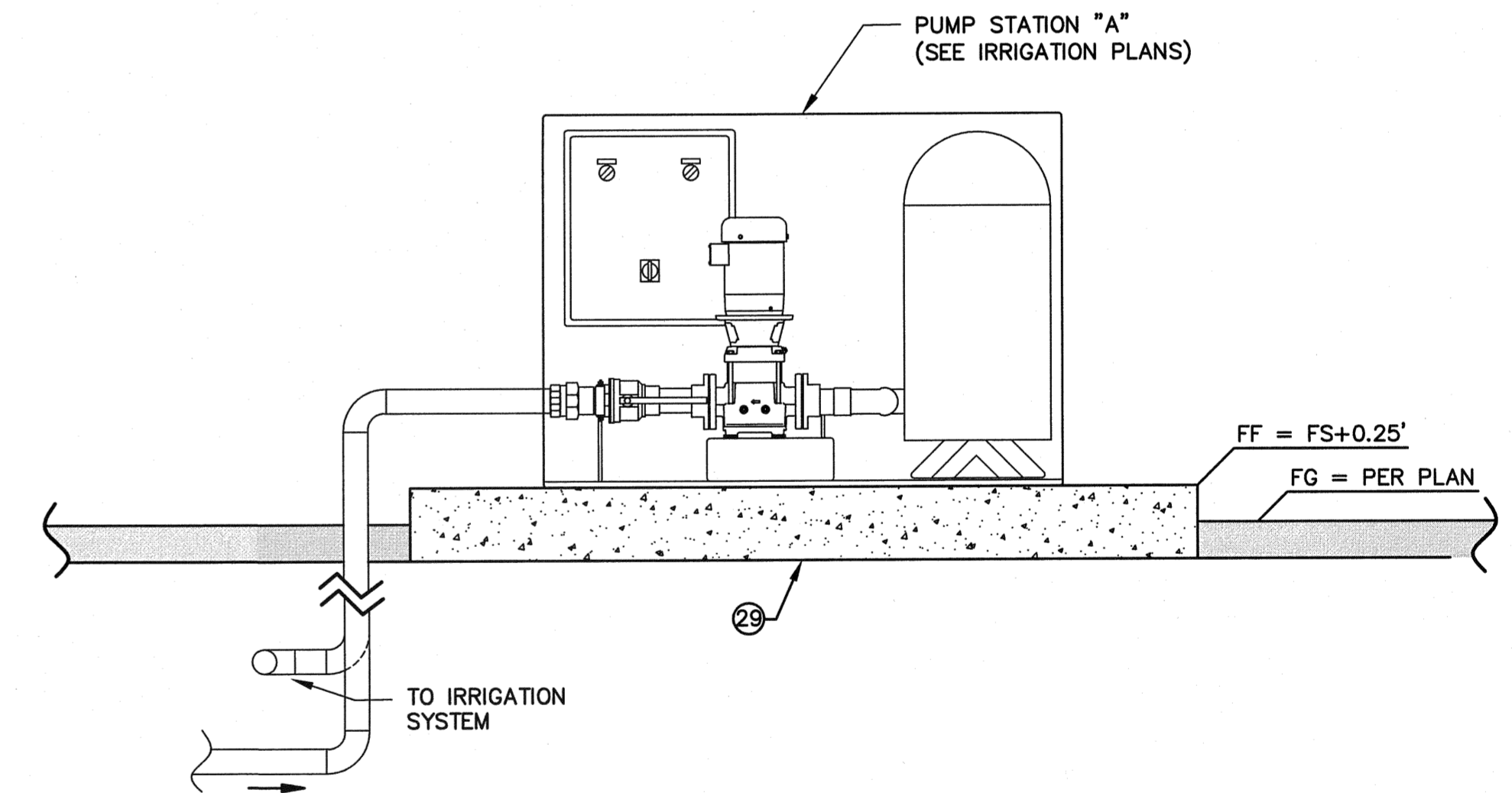
SCALE 1"=2'



SECTION A-A

SCALE 1"=2'

NOTE:
1. UNLESS NOTED OTHERWISE BY THE PROJECT GEOTECHNICAL REPORT, ALL REQUIRED BACKFILL SHALL BE COMPACTED TO AT LEAST 95% OF THE MAXIMUM DENSITY OBTAINED BY THE ASTM DESIGNATION D-1557 (LATEST EDITION) METHOD OF COMPACTION.



SECTION B-B

SCALE 1"=1'



MATERIAL LIST:

1. 10" PVC WATER LINE
2. 10"x10"x4" D.I. TEE
3. 4" SCH 80 PVC IRRIGATION LINE
4. 3" SCH 80 PVC IRRIGATION LINE
5. CONCRETE EQUIPMENT PAD, SEE DETAIL E, SHEET 54

NOLTE
BEYOND ENGINEERING

(A) WELL #2 PIPELINE CONNECTION

REVISIONS

NO.	WORK DONE	DATE:	BY:	APP'D:	NO.	WORK DONE	DATE:	BY:	APP'D:	NO.	WORK DONE	DATE:	BY:	APP'D:	NO.	WORK DONE	DATE:	BY:	APP'D:	NO.	

SAN DIEGO GAS & ELECTRIC COMPANY
SAN DIEGO, CALIFORNIA

SUNCREST SUBSTATION
WATER AND WELL SYSTEM DETAILS

DRAWN BY: MJ DATE: 3/24/10 SCALE: 1"=30' W.O.: - REV: 0
CHECKED BY: RWM DATE: -
APPROVED BY: CR DATE: - SHEET 51 OF 66
CAD NO.: GP51 PLOT SCALE: 1"=1'

SCR-C-051