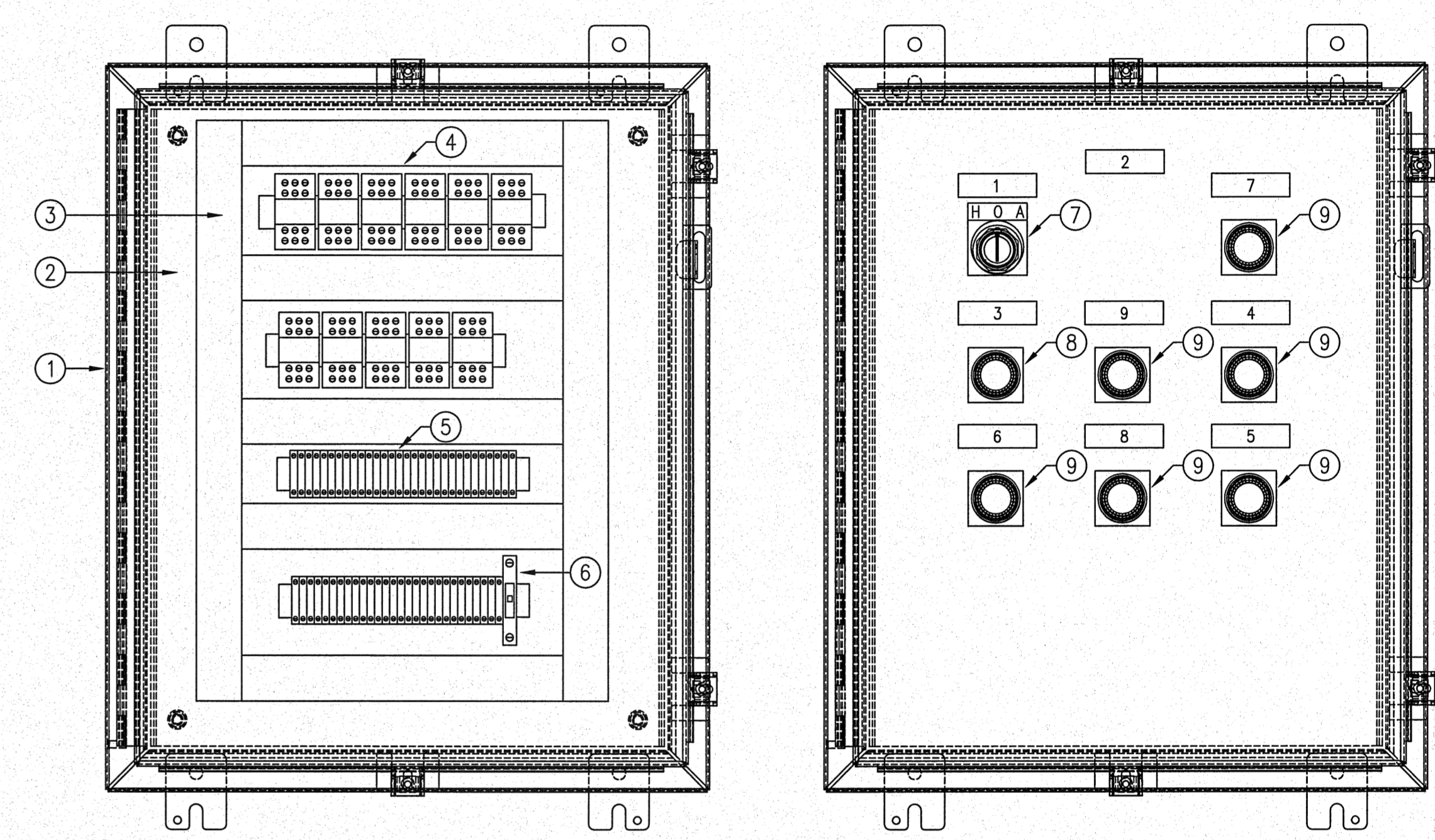
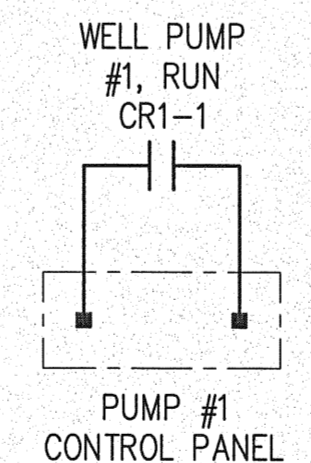


PROVIDE TERMINAL BLOCKS FOR FUTURE SCADA TERMINATIONS



MATERIAL SCHEDULE		
ITEM	MANUFACTURER	DESCRIPTION
1	HOFFMAN	NEMA 4 ENCLOSURE A-24H120BLP
2	HOFFMAN	A-24P20
3	PANDUIT	1 1/2" x 3" WIREWAY
4	ALLEN BRADLEY	RELAYS 700-HA33A1, 700-HN26
5	PHOENIX CONTACT	TERMINAL BLOCK UK5
6	ALLEN BRADLEY	CIRCUIT BREAKER 1492-SP1C150
7	ALLEN BRADLY	3 POSITION SWITCH 800T-J2A
8	ALLEN BRADLEY	LIGHT 800T-PT16G
9	ALLEN BRADLEY	LIGHT 800T-PT16R

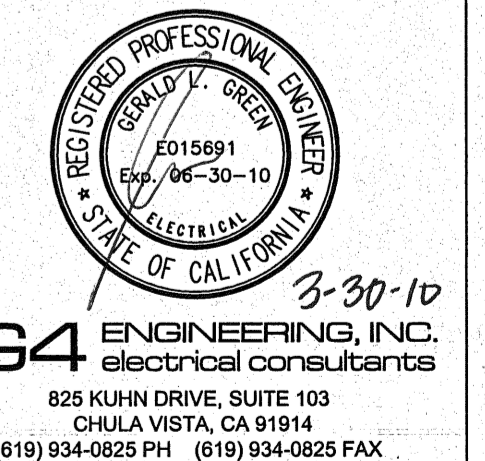
PART NUMBERS LISTED ARE INTENDED TO REFLECT THE GENERAL INTENT OF THE PROJECT REQUIREMENTS. THE SUPPLIER SHALL VERIFY THAT THE COMPONENTS ARE PROPERLY RATED FOR THE INTENDED APPLICATION.

NAMEPLATE SCHEDULE	
ITEM	DESCRIPTION
1	PUMP 1
2	TANK FILL CONTROL PANEL
3	PUMP 1 RUNNING
4	TANK HIGH LEVEL ALARM
5	TANK LOW LEVEL ALARM
6	PUMP 1 POWER LOSS
7	CL2 LOW LEVEL ALARM
8	DILUTION TANK ALARM
9	DILUTION TANK OVERFLOW ALARM

TANK FILL CONTROL DIAGRAM
NO SCALE

TANK FILL CONTROL PANEL DETAIL
NO SCALE

P:\2008 PROJECTS\08125-SOGE SUNCREST\ELEC\WD\04-08125 ELEC



REVISIONS

NO.	WORK DONE	DATE	BY	APP'D	NO.	WORK DONE	DATE	BY	APP'D	NO.	WORK DONE	DATE	BY	APP'D	NO.	WORK DONE	DATE	BY	APP'D	NO.	

SAN DIEGO GAS & ELECTRIC COMPANY
SAN DIEGO, CALIFORNIA

SUNCREST SUBSTATION
TANK FILL CONTROL DETAILS

DRAWN BY: DG DATE: 3/24/10 SCALE: AS NOTED W.D.: - REV: 0

CHECKED BY: GG DATE: -

APPROVED BY: GG DATE: - SHEET 57 OF 66

CAD NO.: G4-08125 ELEC PLOT SCALE: 1:1

3-30-10
G4 ENGINEERING, INC.
electrical consultants
825 KUHN DRIVE, SUITE 103
CHULA VISTA, CA 91914
(619) 934-0825 PH (619) 934-0825 FAX

SCR-C-057