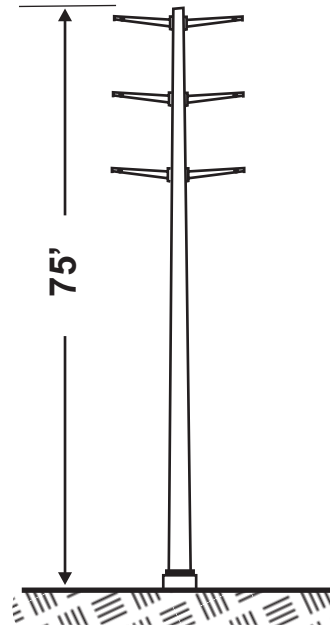
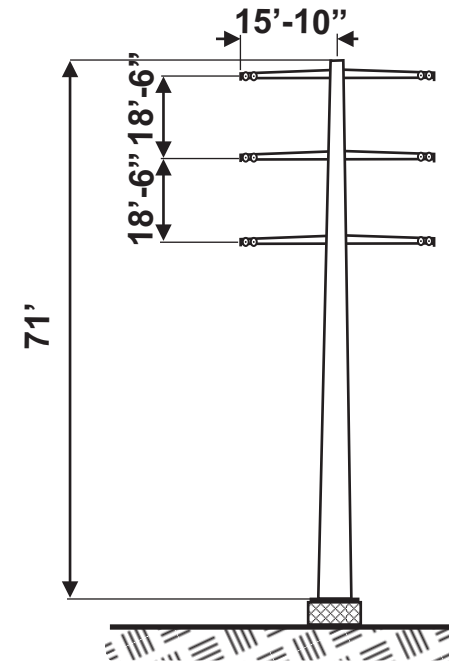


500-kV Single-circuit TSP
 (Mile S3-16.3 to Mile S3-22.1,
 Mile S3-23.2 to Mile S3-33.4)



66-kV Double-circuit TSP
 (Mile S2-0.0 to Mile S2-4.4)
 [Replacement of 66-kV wood poles]



220-kV Double-circuit TSP
 (Mile S2-0.0 to Mile S2-0.2)



Source: SCE, 2005.

Figure B.2-3

Examples of Tubular Steel Poles