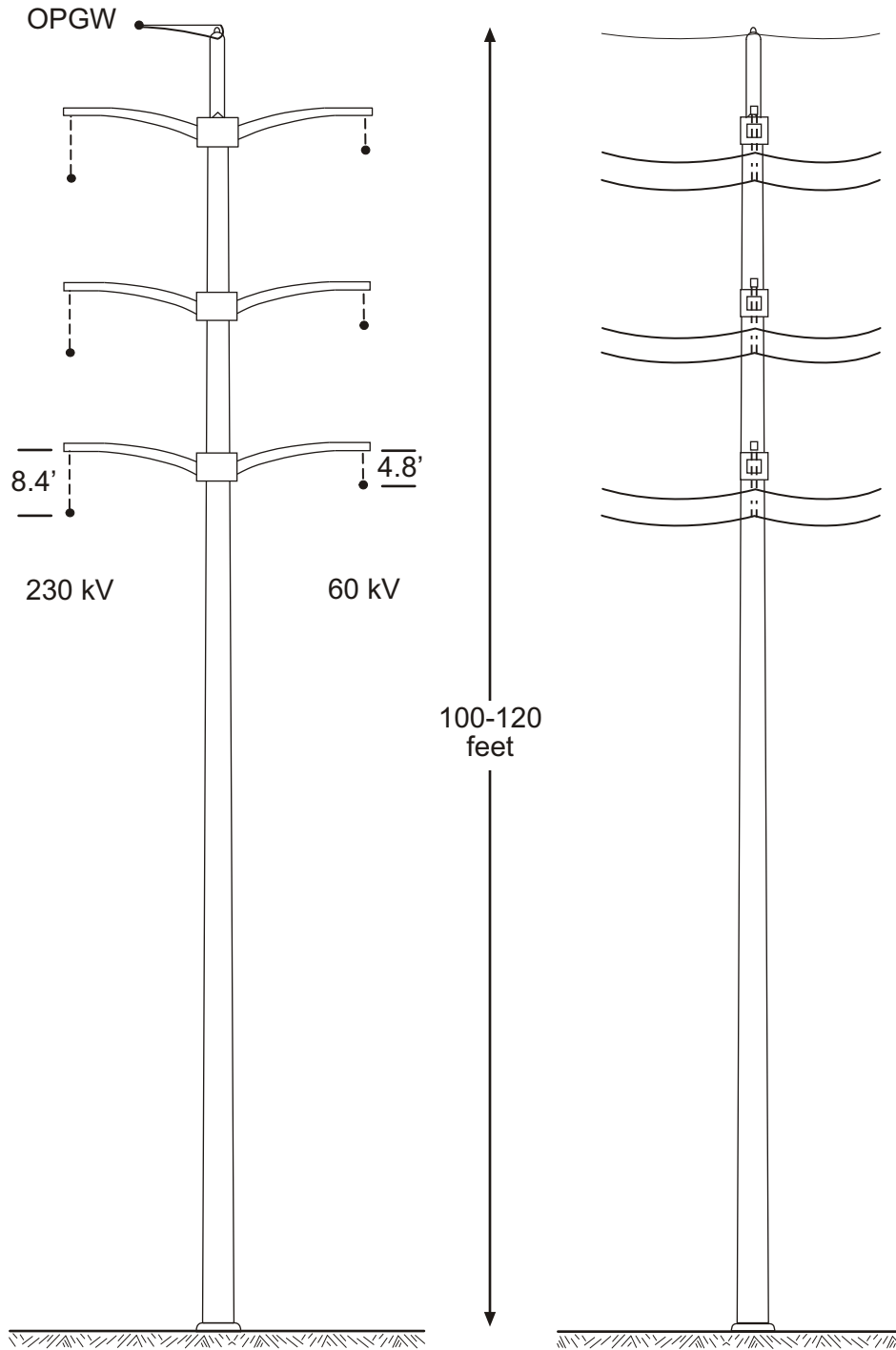


Jefferson-Martin 230 kV Transmission Line Project

B. DESCRIPTION OF PROPOSED PROJECT



IN-LINE VIEW

SIDE VIEW

Not to Scale

**Jefferson-Martin 230 kV
Transmission Line Project**

Figure B-6
**Typical Tangent
Tubular Steel Pole**

Aspen
Environmental Group

Source: CH2MHILL