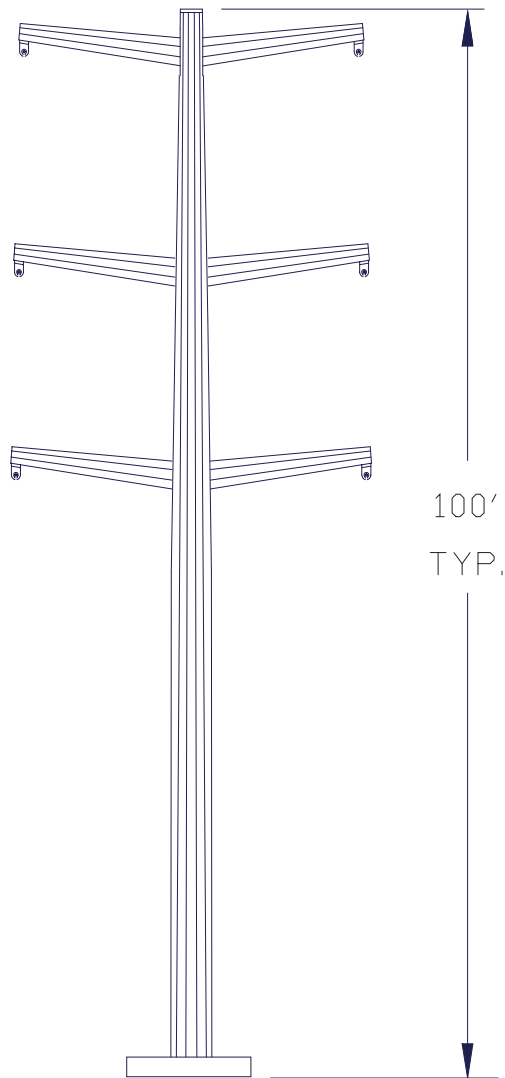
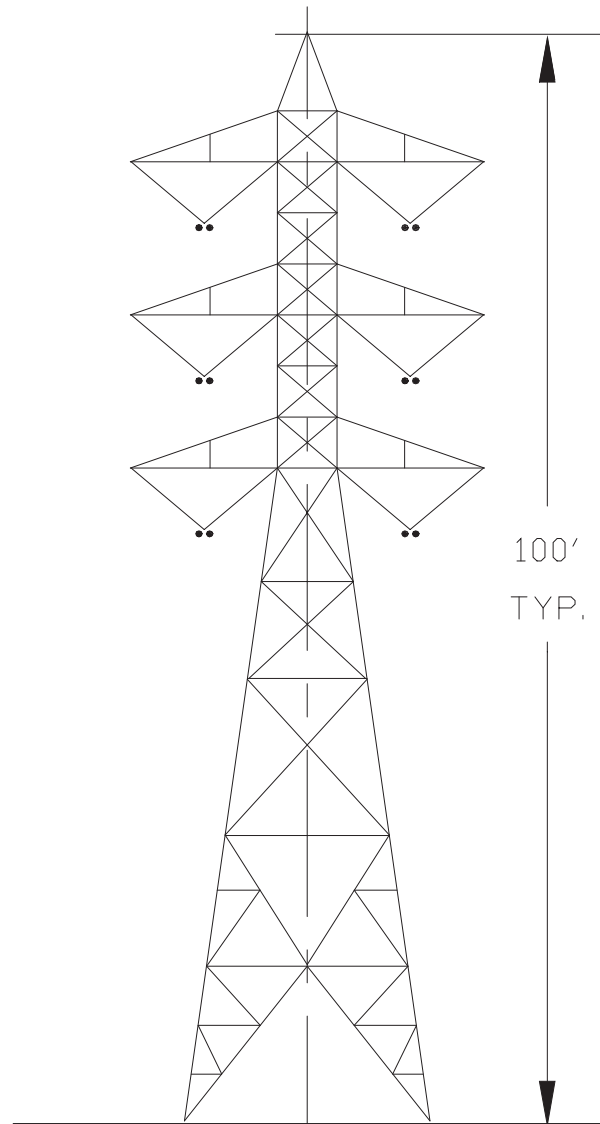


Typical Steel Pole Structure



Typical Lattice Tower Structure



San Diego Gas and Electric
Miguel–Mission 230kV #2 Project
Figure 1-4: Typical Steel Pole Structure and
Typical Lattice Tower Structure