

Figure 3-5a Typical Subtransmission Structures

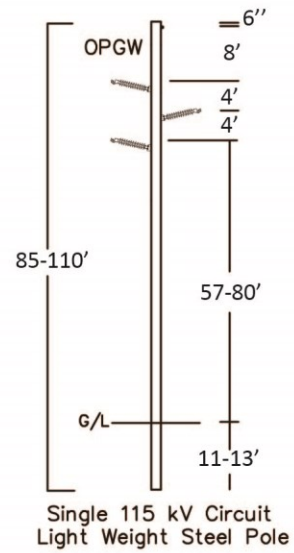
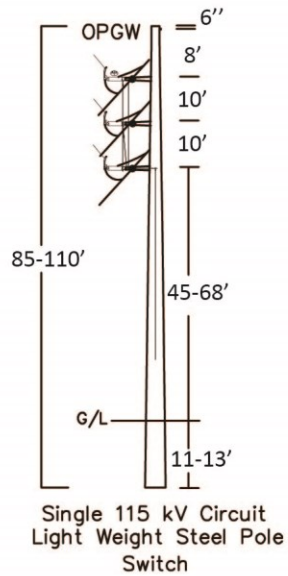
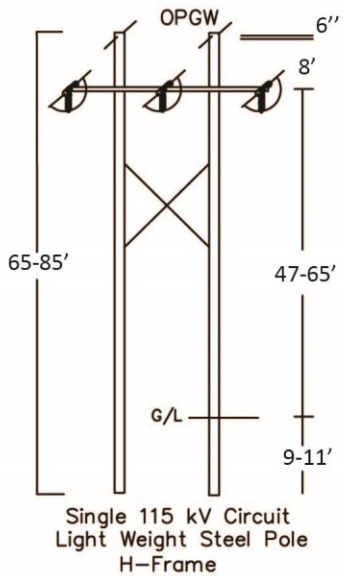
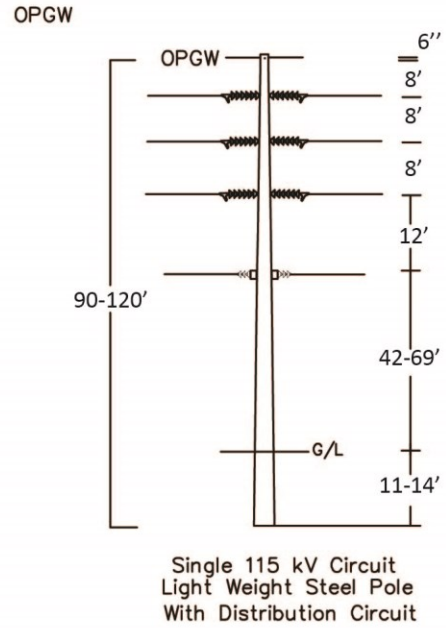
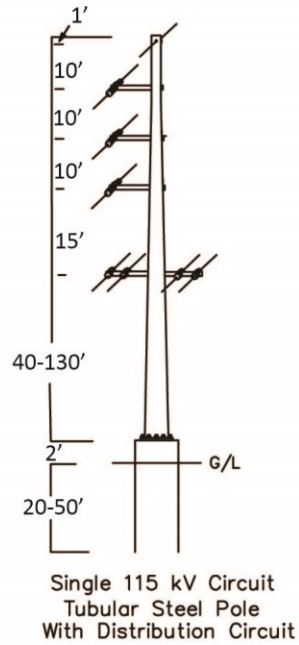
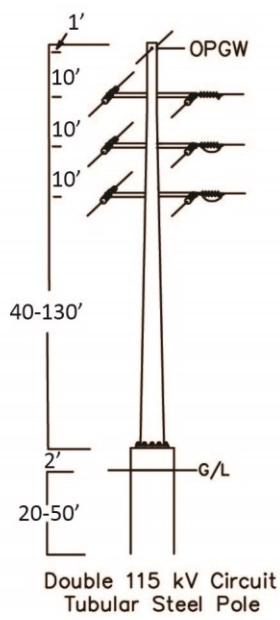


Figure 3-5b Typical Subtransmission Structures

