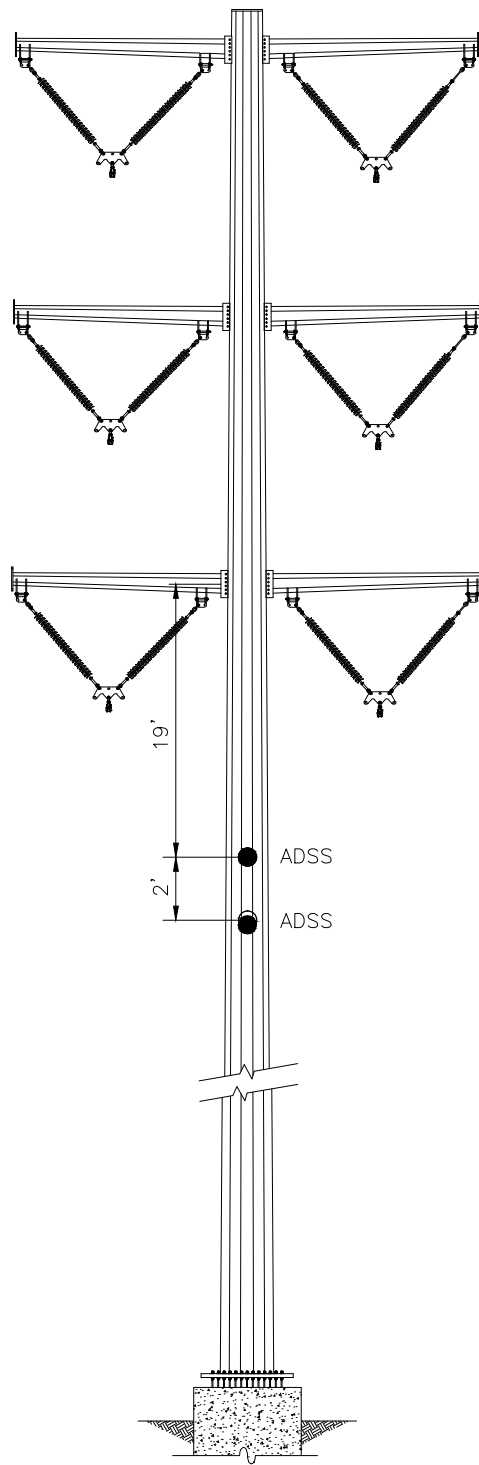


COPYRIGHT © 2014 BURNS & MCDONNELL ENGINEERING COMPANY, INC.




TYPICAL PROPOSED 69 kV
TANGENT DOUBLE CIRCUIT
TUBULAR STEEL POLE WITH
ADSS UNDERBUILD

*DRAWING NOT TO SCALE

**PRELIMINARY - NOT
FOR CONSTRUCTION**



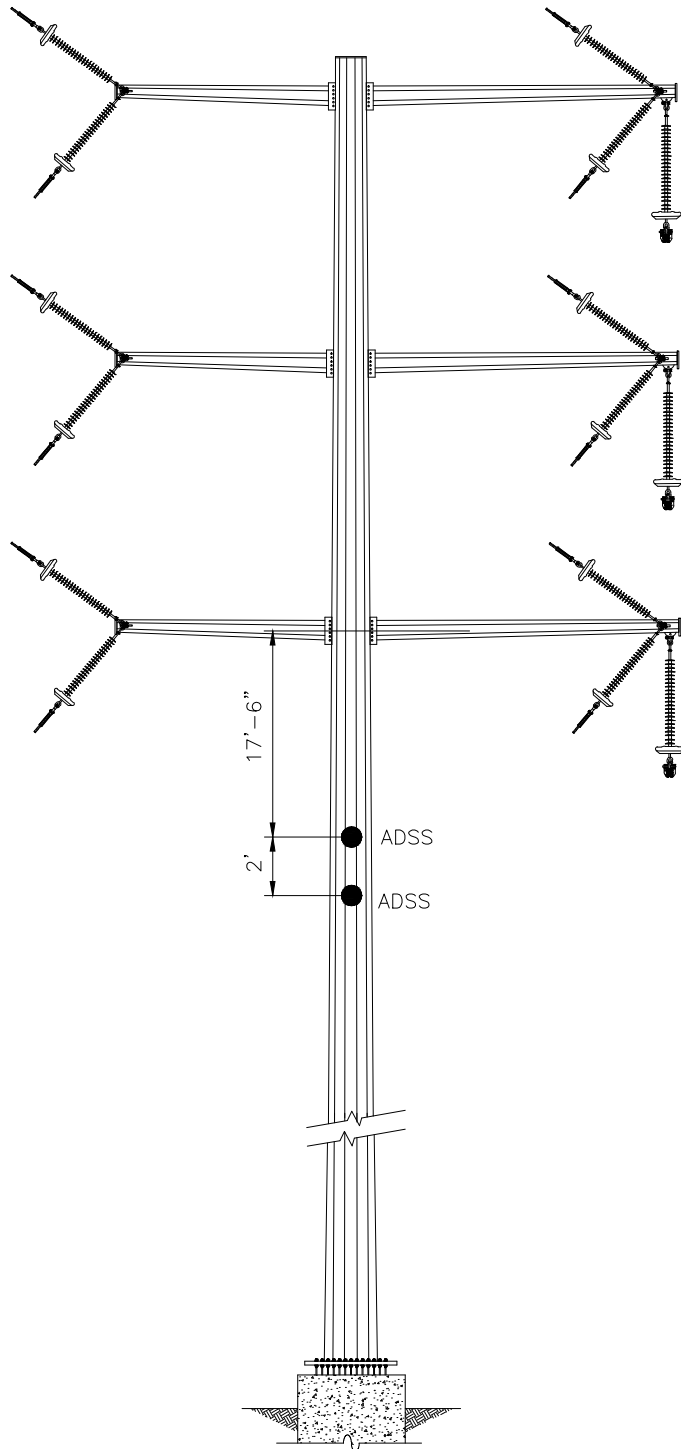
REV.	DESCRIPTION	DATE
A	FOR PLANNING PURPOSES	12/8/2014


SAN DIEGO GAS & ELECTRIC
 TRANSMISSION ENGINEERING
A Sempra Energy utility

SHEET 1 OF 1

STRUCTURE DRAWINGS
 SX-PQ PROJECT
 TYPICAL 69 kV
 73493-16

COPYRIGHT © 2014 BURNS & MCDONNELL ENGINEERING COMPANY, INC.



TYPICAL PROPOSED 69 kV
DEADEND DOUBLE CIRCUIT
TUBULAR STEEL POLE WITH
ADSS UNDERBUILD

*DRAWING NOT TO SCALE

**PRELIMINARY - NOT
FOR CONSTRUCTION**



REV.	DESCRIPTION	DATE
A	FOR PLANNING PURPOSES	12/8/2014



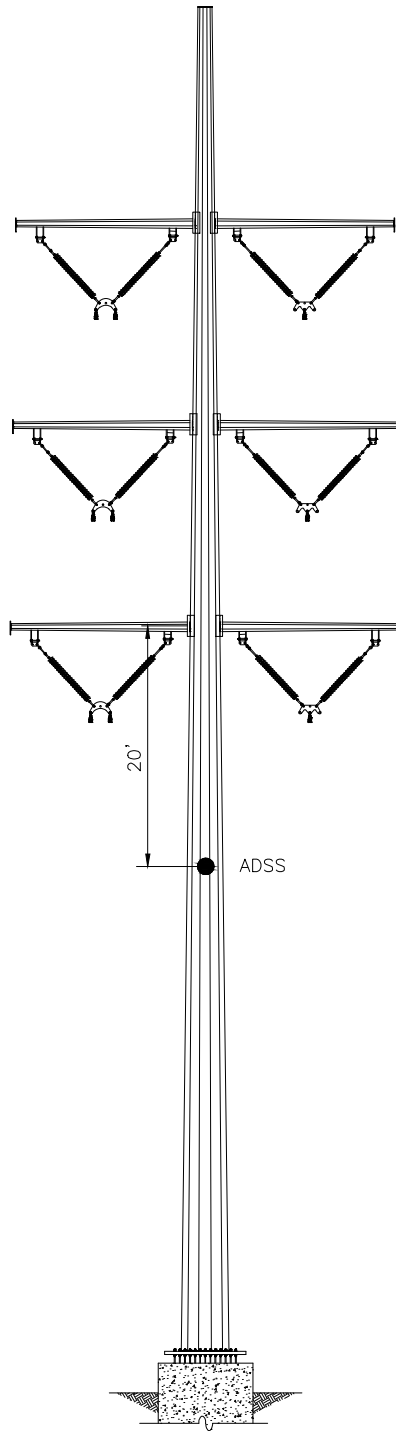
SAN DIEGO GAS & ELECTRIC
TRANSMISSION ENGINEERING

STRUCTURE DRAWINGS
SX-PQ PROJECT
TYPICAL 69 kV D.E.

SHEET 1 OF 1

73493-17

COPYRIGHT © 2014 BURNS & MCDONNELL ENGINEERING COMPANY, INC.



TYPICAL PROPOSED 230 kV
TANGENT DOUBLE CIRCUIT
TUBULAR STEEL POLE WITH
ADSS UNDERBUILD

*DRAWING NOT TO SCALE

**PRELIMINARY - NOT
FOR CONSTRUCTION**



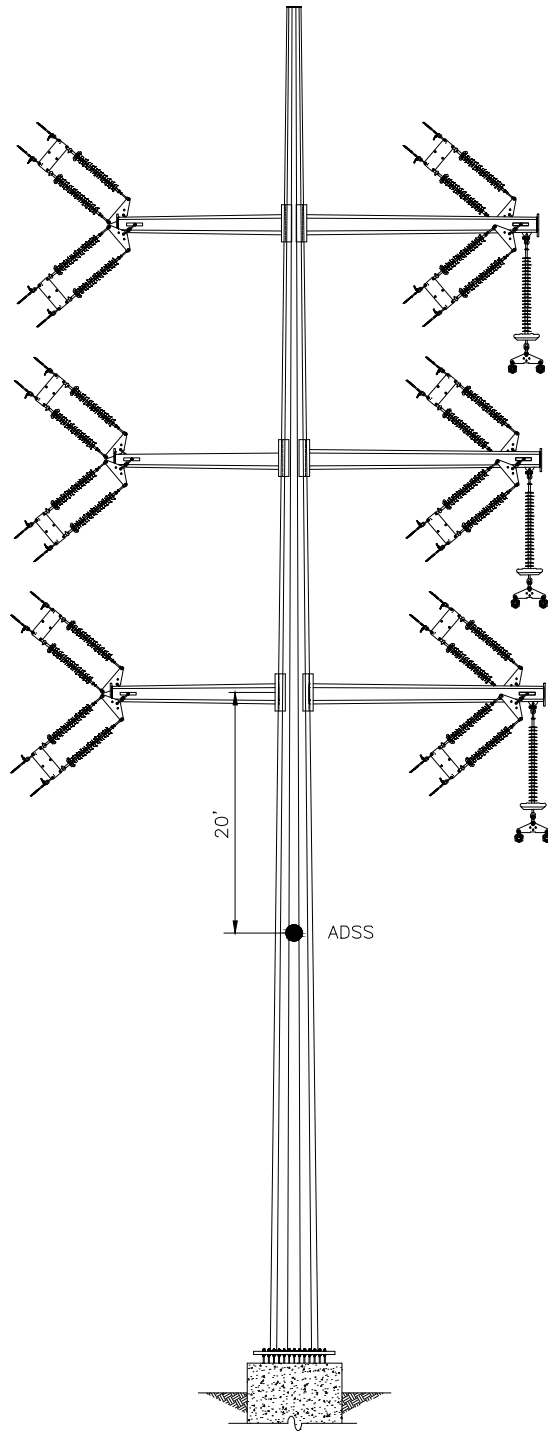
REV.	DESCRIPTION	DATE
A	FOR PLANNING PURPOSES	12/8/2014

SDGE SAN DIEGO GAS & ELECTRIC
TRANSMISSION ENGINEERING
A Sempra Energy utility

SHEET 1 OF 1

STRUCTURE DRAWINGS
SX-PQ PROJECT
TYPICAL 230 kV
73493-18

COPYRIGHT © 2014 BURNS & MCDONNELL ENGINEERING COMPANY, INC.



TYPICAL PROPOSED 230 kV
DEADEND DOUBLE CIRCUIT
TUBULAR STEEL POLE WITH
ADSS UNDERBUILD

*DRAWING NOT TO SCALE

**PRELIMINARY - NOT
FOR CONSTRUCTION**



REV.	DESCRIPTION	DATE
A	FOR PLANNING PURPOSES	12/8/2014

SDGE SAN DIEGO GAS & ELECTRIC
TRANSMISSION ENGINEERING
A Sempra Energy utility

SHEET 1 OF 1

STRUCTURE DRAWINGS
SX-PQ PROJECT
TYPICAL 230 kV D.E.

73493-19