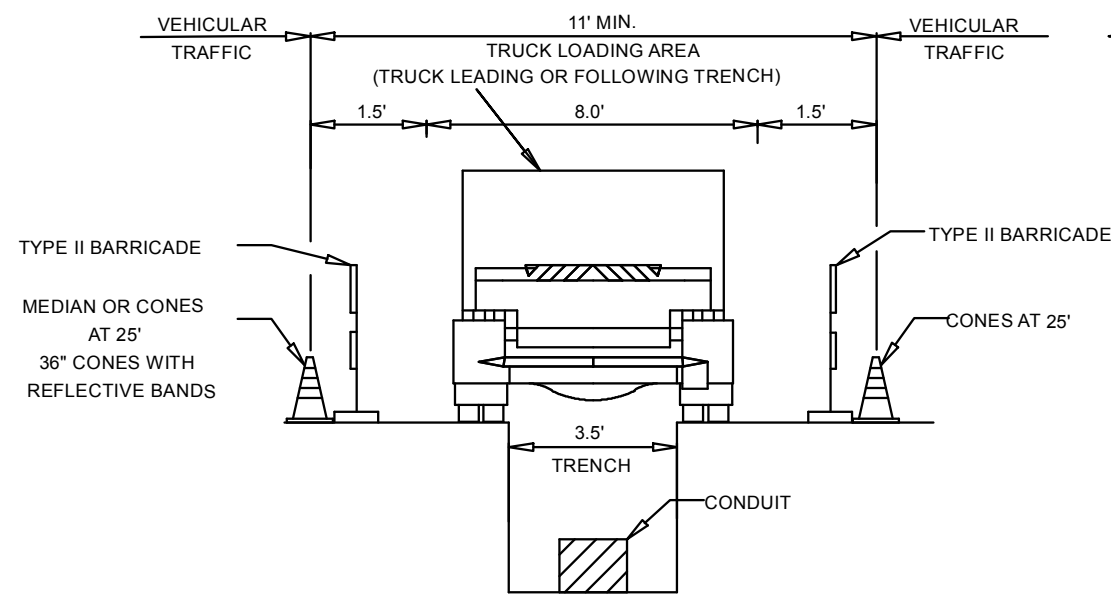
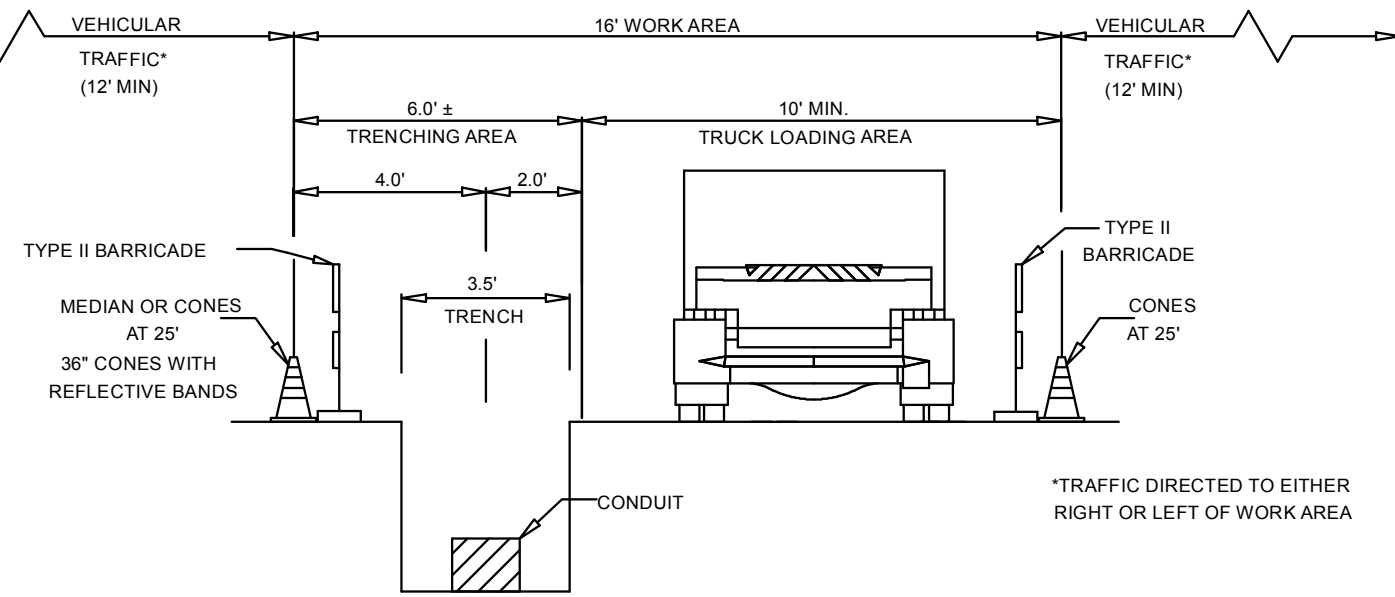


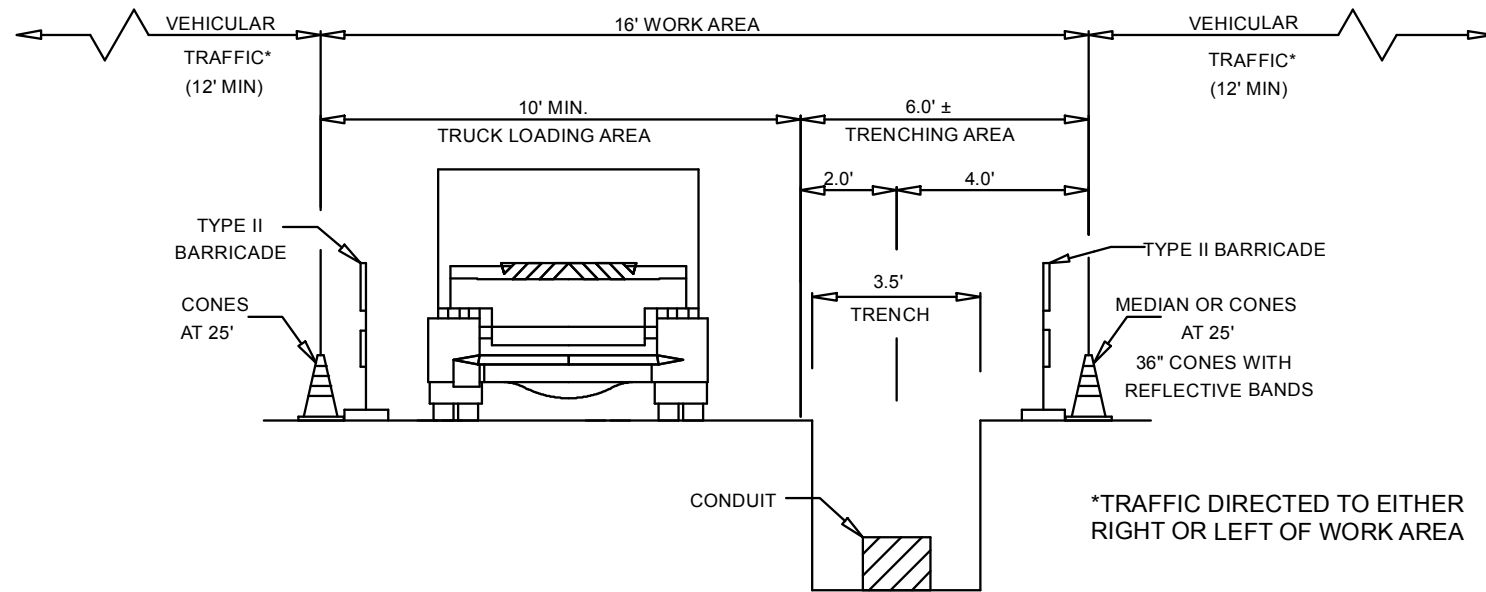
# SYCAMORE TO PENASQUITOS 230kV TRANSMISSION LINE PROJECT



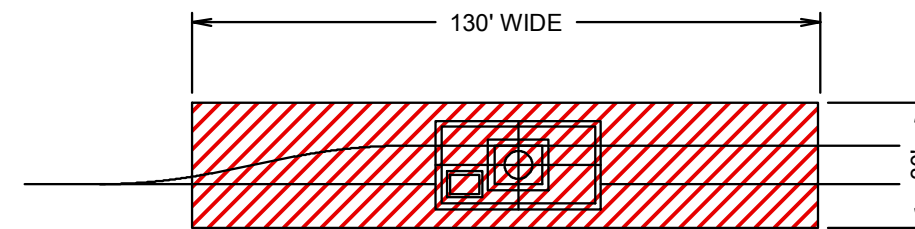
**A** TYPICAL TRENCH WITH TRUCK LOADING AREA  
LEADING OR FOLLOWING TRENCH  
NO SCALE



**B** TYPICAL TRENCH WITH TRUCK LOADING AT SIDE  
NO SCALE



**C** TYPICAL TRENCH WITH TRUCK LOADING AT SIDE  
NO SCALE



**D** TYPICAL VAULT WORKING AREA  
NO SCALE