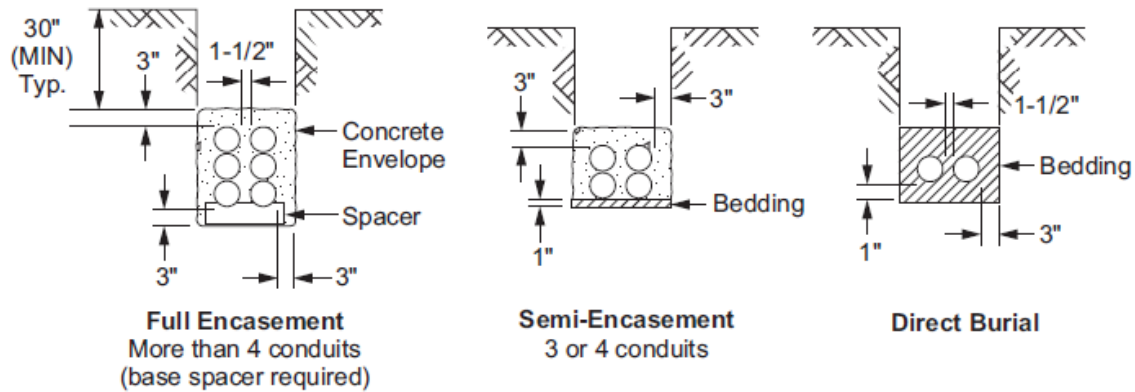


**CD 120 Conduit Bank Requirements**

**Scope CD 120.1 Conduit Bank Requirements**

**Figure CD 120-1: Typical Conduit Bank Sections (Mainline and Commercial/Industrial)**



**Special Conduit Formations**

