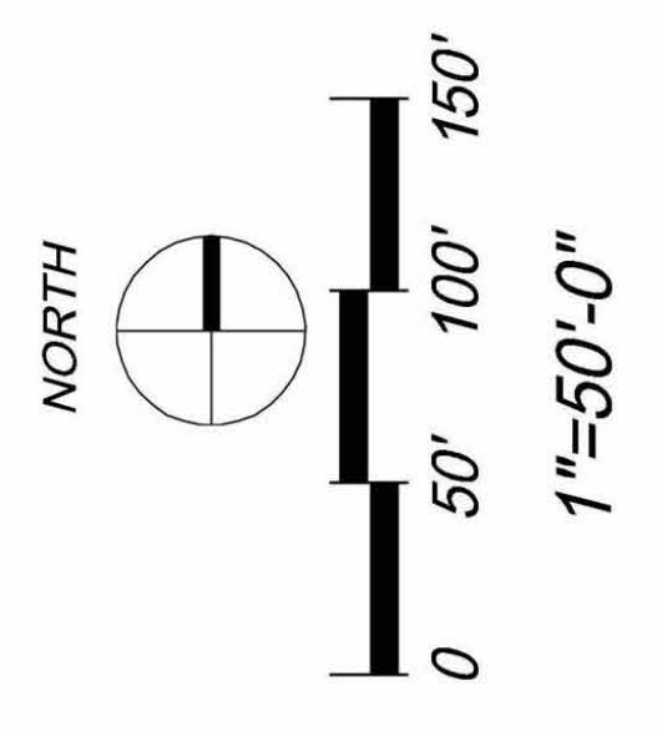
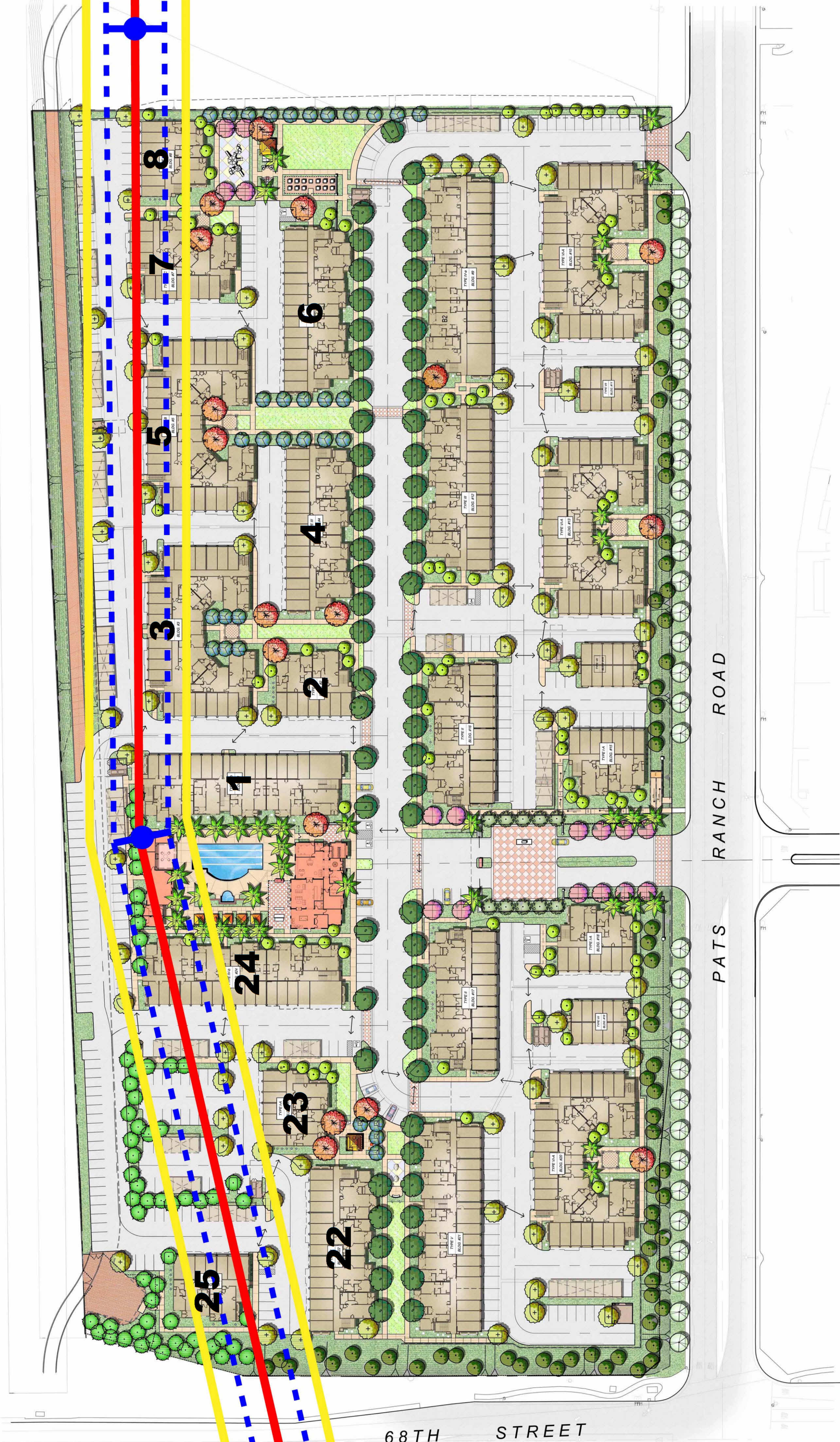


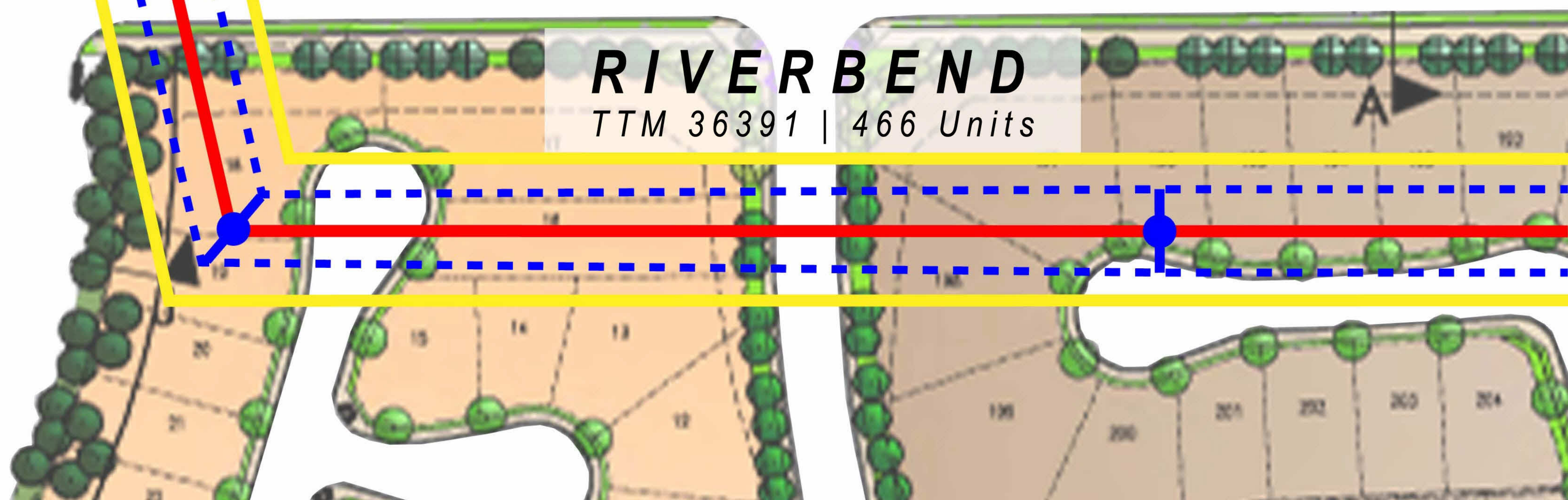
# **EXHIBIT C**

# **EXHIBIT C**





**VERNOLA MARKETPLACE APARTMENT COMMUNITY** | 397 Units



**RIVERBEND**  
TTM 36391 | 466 Units